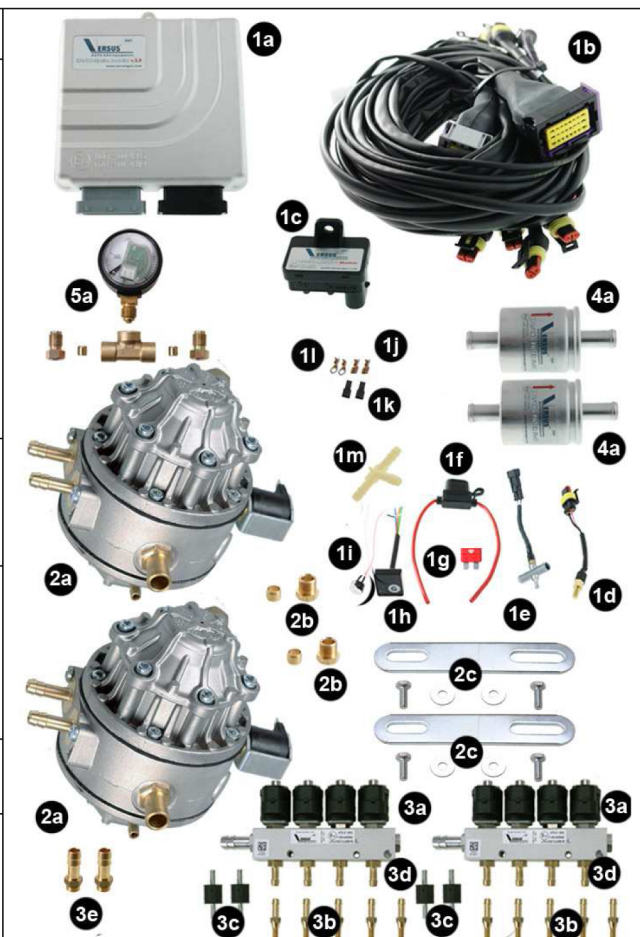


Catalogue Code: **8C/32/5/11/2**

Catalogue Name: **KIT VERSUS 8: V8C/2VRC/2XFH02-4/F1.1/M**

No.	Catalogue Name	Catalog Code	Qty
1a	Electronic Control Unit VERSUS 8-cyl	EL.V8	1 pcs
1b	Harness P8 type C. 8-cyl	EL.P8.C	1 pcs
1c	Map-sensor Absolute XFP1 type	EL.MAP.M	1 pcs
1d	Reducer's Temperature Sensor	EL.CTR	1 pcs
1e	Gas Temperature Sensor T-fitting	EL.CTG.T	1 pcs
1f	Fuse Case	EL.B.OBB	1 pcs
1g	Fuse	EL.B.10A	1 pcs
1h	Change-over Switch	EL.SW.ST	1 pcs
1i	Horn/Buzzer	EL.BZ	1 pcs
1j	Female electrical connector	EL.AK.ZL.Z	2 pcs
1k	Electrical connector "ring" type	EL.AK.ZL.O	2 pcs
1l	Electrical connector box	EL.AK.OB.EL	2 pcs
1m	T-Fitting for Vacuum	EL.AK.TRVAC	1 pcs
2a	Reducer VR-C Bare	RD.VC.BD	2 pcs
2b	VR-C Inlet connection set 6 mm SET	RD.WL6MM.MET	2 pcs
2c	VR-L SUPER Reducer's fitting SET	RD.VLS.MC.SET	2 pcs
3a	Injector FH02-4 body	LW.4.BD	2 pcs
3b	Inlet manifold nozzles "IM" type	LW.DKL	10 pcs
3c	Anti-vibration dumper FH02	LW.DW	4 pcs
3d	Injector's FH02 calibration nozzle 1,5 mm	LW.DK1,5	8 pcs
3e	Outlet nozzle 12mm	RD.00-37	2 pcs
4a	Filter 1-1/2 mm	F1	2 pcs
5a	Manometer VR-C01 set	M	1 pcs



Description:

- the most popular KIT dedicated to 8-cyl engines over 250 HP power
- two VR-C reducers are a part of this KIT.

Shipment details:

- Weight of one KIT: 6,90 kg
- Size of the box (as in the picture): 38,5x30x15 cm
- Number of KITS in groupage carton/minimal order: 5 pcs
- Total no of KITS in one pallet 120/80/177 cm: 80 KITS