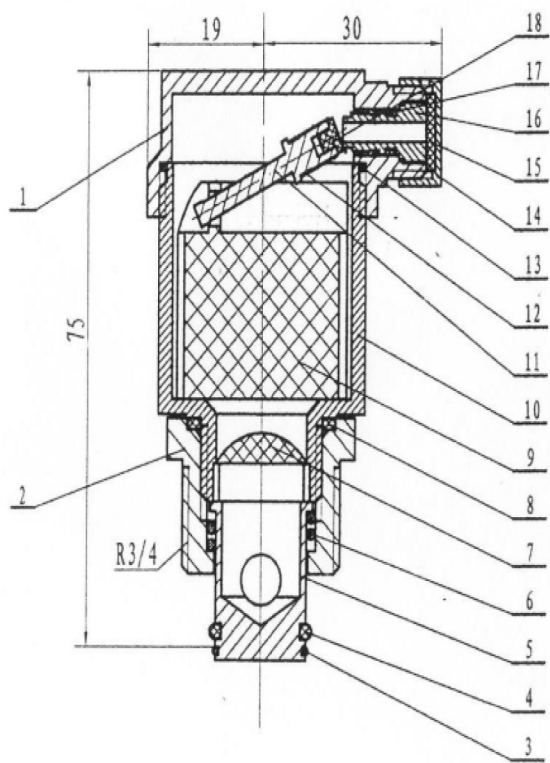


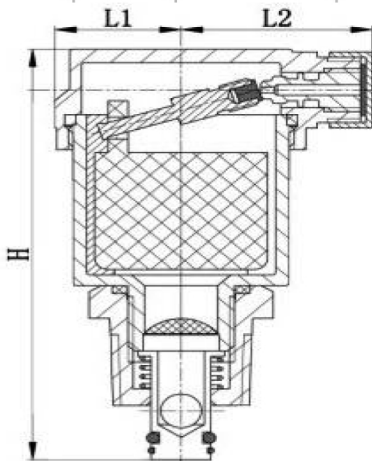
# 1, Main components material:



Item no.	Component name	material
1	Bonnet	C37700
2	Connexion seat	C37700
3	Spring retainer ring	1Cr18Ni9Ti
4	O ring	NBR
5	Seat	C37700
6	Compression Spring	1Cr18Ni9Ti
7	Filter	1Cr18Ni9Ti+H62
8	O ring	NBR
9	Plastic float	Polypropylene
10	Body	C37700
11	Valve Needle	C37700
12	Tense Spring	1Cr18Ni9Ti
13	O ring	NBR
14	End cap	C37700
15	Sealing seat	Silicon rubber
16	Seat	C37700
17	O ring	NBR
18	Sealing plug	NBR

Dimensions (mm)

DN	Size	L1	L2	H	Weight(g)
15	1/2"	19	30	75	180
20	3/4"	19	30	75	203
25	1"	19	30	75	254



<b>Pressure rating:</b>	<b>16Bar</b>
<b>Maximum fluid T:</b>	<b>120 ° C</b>
<b>Working medium:</b>	<b>water, oil</b>
<b>Pressure test conform to</b>	<b>ISO5208</b>
<b>Thread is according to</b>	<b>ISO228</b>